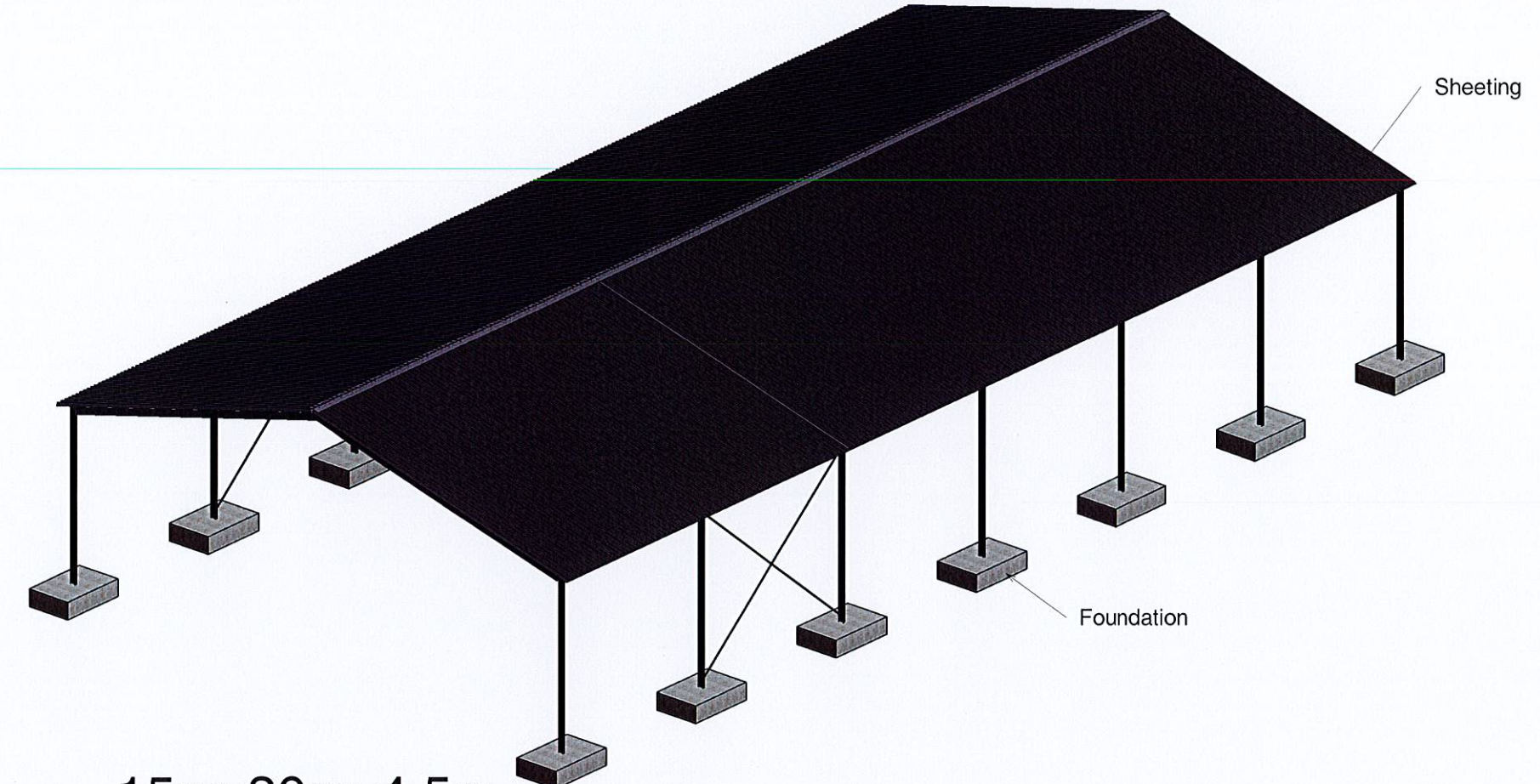
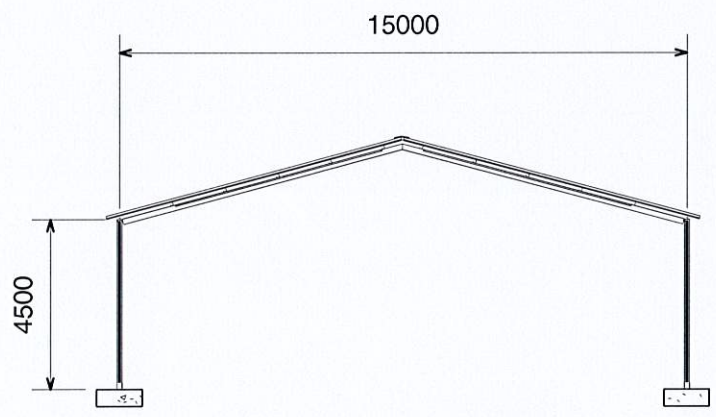


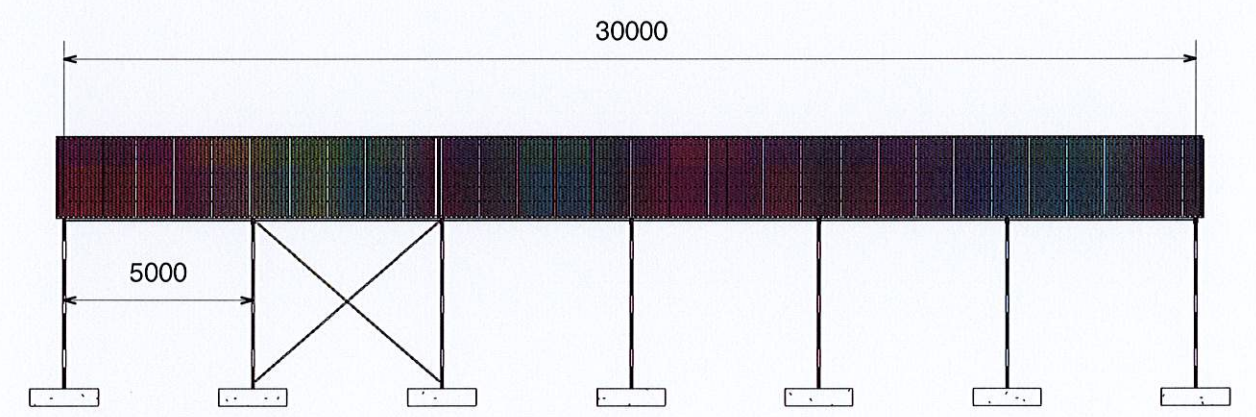
3 Site
1 : 150



1 15mx30mx4.5m



4 North
1 : 200



2 East
1 : 200



BMI STEEL STRUCTURES (PTY) LTD
PROJECT MANAGEMENT : FACTORIES • FARMSHEDS • SHOPPING CENTRES

www.bmi-steel.co.za

No.	Description	Date

BMI Steel Structures (pty) Ltd

15m x 30m Structure

15m(W) x 30m(L) x 4.5m(H)

Project number	Project Number
Date	2017.03.08
Drawn by	D.Viviers
Checked by	N.Minnie

15/30/4.5-001

Scale As indicated